



## PRODUCT SPECIFICATION

### TYR SUNSPOT Spotlight 35 deg

P/N: 100028



## SOLUTION DESCRIPTION

### PRODUCT DESCRIPTION

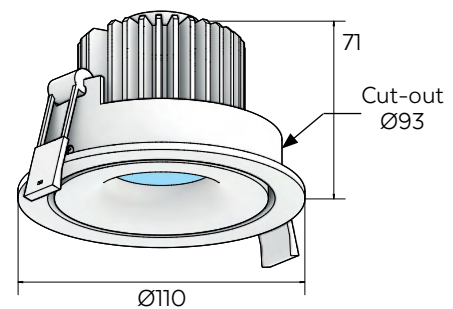
The BrainLit Tyr Sunspot is a medium sized, tiltable, dynamic, recessed LED spot light that brings life and contrast to any room. It provides balance to the emotional experience of a space. By dynamically adjusting its color temperature anywhere between neutral white (4000K) to warm white (1800K) you can transform the ambience of a room and promote the circadian alignment. The BrainLit Tyr embraces the black body curve with exceptional color rendering while dimming smoothly down to 0.1%.

### AREAS OF USE (examples)

<b>Office</b>	High Value Offices / High Risk Offices / Meetings & Seminar Rooms
<b>Industrial</b>	High Value Manufacturing / High Risk Operations / Control Rooms
<b>Education</b>	Conference Centres / Class Rooms
<b>Hospitality</b>	Customer Interaction Centres / Receptions / Conference Centres / Terminals / Lounges / Premium Room Settings
<b>Residential</b>	Nursing Homes / Elderly Care / Luxury Room Settings

## MEASUREMENTS / PACKAGING

<b>Weight (kg)</b>	0,8
<b>Size LxWxH (mm)</b>	NAxNAX71
<b>Diameter (mm)</b>	110
<b>Box quantity</b>	1
<b>Boxed size LxWxH (mm)</b>	480x140x115
<b>Boxed weight (kg)</b>	0,9



Driver size LxWxH (mm): 185x44x31

## MARKET AVAILABILITY

EMEA EU



## PRODUCT TECHNICAL SPECIFICATION

### LIGHT PROPERTIES

Light source type	LED
LED color temperature	1800K-4000K
Color rendering	CRI/Ra >90
Lumen output*	550lm
mDER range	37%-66%
Beam angle	37°
Dimming range	0,1% - 100 %
Flicker handling	$P_{st}^{LM} \leq 1, SVM \leq 0,4, IEEE 1789 comp.$
Lifetime	0,87 (LLMF 50 000h)
	>100 000h (L70B50)

### POWER PROPERTIES

Rated input power	9 W
Efficacy*	57 lm/W
Supply voltage range	220-240V
Supply power frequency	50/60Hz
Maximum circuit breaker loading (no of luminaires):	B10 B13 B16 C10 C13 C16 @230V 66 86 106 66 86 106
DALI device type	6
DALI-2 compliant	Yes
Power and DALI connector	WAGO WINSTA®. Cable length: 0,5m

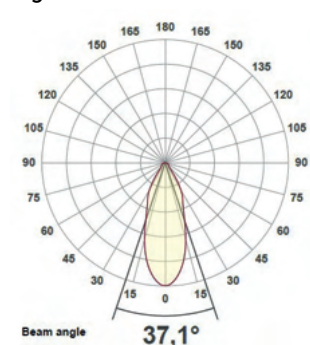
### MECHANICAL PROPERTIES

Colors	White matte
Material	Aluminum
Configuration	Tilttable spot light
Mounting	Recessed
IP rating	20
Certifications	CE

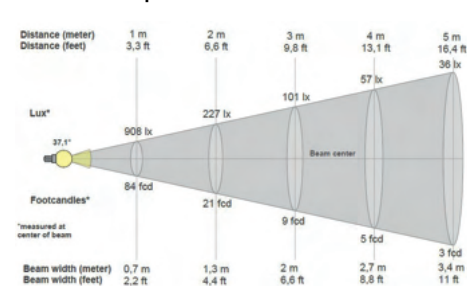
\*At maximum intensity and CCT

## TYPICAL CHARACTERIZATION DATA

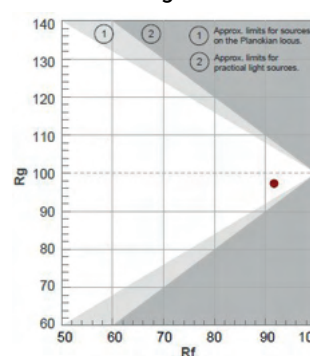
### Light distribution



### Beam description

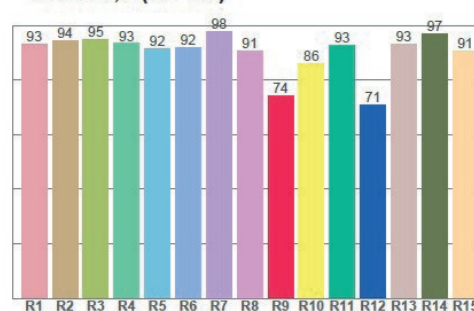


### Color rendering TM-30



### Color rendering CRI, (CIE 1931)

CRI: 93,5 (R1-R8)



This document contains information that is subject to change without notice. This document is solely intended for, and may only be used for, the purpose of providing luminaire products to the BrainLit BioCentric Lighting System. The performance indications for BrainLit products set forth in this document are based on, and conditioned on, the products being used solely in the BrainLit BioCentric Lighting System. However, this document shall not be deemed a product warranty, whether express or implied. The BrainLit product warranty is solely contained in the purchase agreement with each customer. This document is subject to BrainLit AB's copyright. No part of this document may be reproduced or transmitted in any form or by any means, or shared with any third party, without the prior written approval of BrainLit AB. BrainLit products may be protected by one or more patents and by copyright and design rights. "BrainLit" and "BioCentric Lighting" are registered trade marks of BrainLit AB. This document does not confer upon the recipient a license to any of BrainLit intellectual property rights.